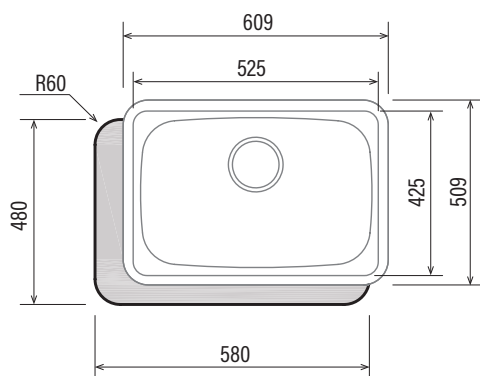




CSS60-1
Cod. **02612300** EAN **8422248074377**

- Square bowl
- Installation in 60-cm unit
- Dimensions: 60,9 x 50,9 cm
- Bowl depth 15cm
- Noise absorber foam
- Stainless steel AISI 304 18/8
- Basket valve 3 1/2"
- Thickness 0,7mm
- Accessories:
Watertight strip
Fastening clamps
Overflow pipe
Siphon



Code	02612300
EAN	8422248074377
Model	CSS60-2
DIMENSIONS	
Cutout dimension (length x width) [mm]	580x480
Dimensions (length x width x depth) [mm]	609x509x150
GENERAL FEATURES	
Type of sink	Built-in countertop
Material	Stainless steel 304
Steel thickness [mm]	0,7
Colour	Steel
BOWL AND DRAINING RACK DETAILS	
Bowl quantity	1
Bowl form	Square
Draining rack	-
Draining rack quantity	-
Draining rack form	-
Draining rack position	-
Tap hole	
ACCESSORIES	
Drainpipe type	Round 3/2"
Drainpipe quantity	1
Drainpipe quantity	Yes
Overflow tube	Yes