

REFERENCE

REF: 112500034

EAN: 8434778012057

FEATURES

Urban Colors Edition

MasterSense Series

Flex Induction hob

SlideCooking function

Direct functions with temperature sensors: Confit, poaching, grilling, pan frying, deep frying, quick boiling, simmering, melting and keep warm

Touch Control MultiSlider

5 cooking zones

1 zone Ø 320/180 mm

2 zones Ø 228 x 200 mm

1 zone Ø 215 mm

1 zone Ø 150 mm

Ceramic glass surface

Auto-lock safety system

Cooking timer

Power plus

Child lock

Residual heat indicator

Power management

Easy installation kit

Maximum nominal power 10.800 W

Optional: Grilling plate

Optional: Teppanyaki

Super
Zone

MultiSlider



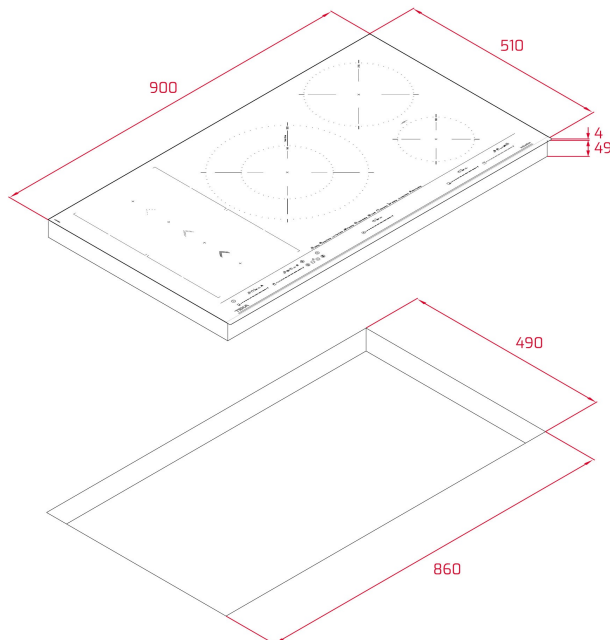
Power



Power Plus



Autolock

Easy
Installation**DIMENSIONS****Product height (mm):** 53**Product width (mm):** 900**Product depth (mm):** 510**Product length (mm):****Net weight (Kg):** 15,18**TECHNICAL DETAILS**

Power rate (V): 220-240

Frequency (Hz): 50/60

Maximum Nominal Power (W): TBC

COLOURS

112500034

Black glass

ENERGY EFFICIENCY

Power consumption in standby mode (W): -

Time to reach standby mode (min): 1