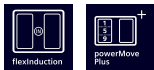
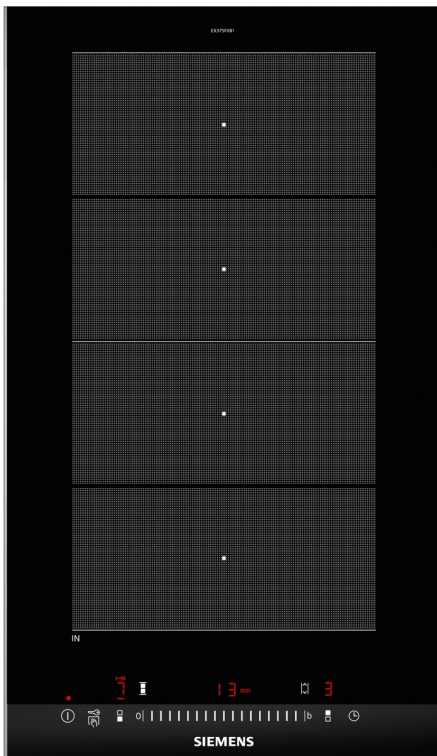


iQ700, Flex induction cooktop, 30 cm, surface mount with frame EX375FXB1E



Siemens flexInduction cooktop is designed for greater flexibility when cooking

- ✓ The 30 cm wide cooktop is ideal for combining with other Domino or faceted design cooktops.
- ✓ flexInduction – Smart cooking zone that adapts to your cookware.
- ✓ Allows to control the temperature by entering it directly or by moving the slider with a single finger - touchSlider Control.
- ✓ powerMove Plus enables intuitive control thanks to three heating zones with different temperatures, just by moving the pan
- ✓ powerBoost – Increases the power of an induction zone by up to 50%.

Features

Technical Data

Product name/family: Vario/Domino cooking zone cera
 Built-in / Free-standing: Built-in
 Source of energy: Electric
 Number of cooking zones: 2
 Required niche size for installation (HxWxD): 51 x 270 x 490-500 mm
 Width of the appliance: 302 mm
 Dimensions: 51x302x520 mm
 Dimensions of the packed product (HxWxD): 126x383x597 mm
 Weight: 8.1 kg
 Gross weight: 8.7 kg
 Residual heat indicator: Separate
 Location of control panel: Front
 Basic surface material: Ceramic
 Color of surface: Black, Alu, brushed
 Length electrical supply cord: 110 cm
 EAN code: 4242003697405
 Nominal power: 220-240 V
 Frequency: 60; 50 Hz



Optional accessories

HZ32WA00	wireless roastingSensor
HZ390522	Griddle Plate
HZ394301	Connecting strip
HZ9FE280	Iron pan Ø 18 / 28 cm
HZ9FF010	Flex Pan, large
HZ9FF030	Flex Pan set, 3 pcs.
HZ9FF040	Flex Pan set, 4 pcs.
HZ9SE030	Set of 2 pots and 1 pan
HZ9SE040	4 pieces Set
HZ9SE060	6 pieces Set
HZ9TY010	Teppan Yaki

iQ700, Flex induction cooktop, 30 cm, surface mount with frame EX375FXB1E

Features

Design

- Stainless Steel side trim with bevelled front edge
- 30 cm: space for 2 pots or pans.

Flexibility of cooking zones

- flexInduction zone: use cookware of any shape or size anywhere within the 40cm long zone.
- Cooking zone middle: 210 mm, 200 mm, 2.2 KW (max. power 3.7 KW)
- Cooking zone middle: 210 mm, 200 mm, 2.2 KW (max. power 3.7 KW)

Usage convenience

- touchSlider: directly control the power with imprinted touch bar.
- 17 power levels: precisely adapt the heat with 17 power levels (9 main levels and 8 intermediate levels).
- Timer for all zones
- : switches off the cooking zone at the end of the time set (e.g. for boiled eggs).
- Acoustic signal
- : an alarm sounds at the end of the time set (e.g. for pasta).
- Count up timer
- : shows how much time has passed since starting the timer (e.g. for potatoes).

Time saving & efficiency

- Power boost setting
- : boil water faster thanks to 50% more energy than at the highest standard level.
- powerMove plus: increase or decrease the power level simply by moving the pot forwards or backwards.
- quickStart function: when switching on, the hob automatically selects the cooking zone with cookware (when placed on a zone whilst the hob is off).
- reStart function: in case of unintentional switch-off, this feature restores all previous settings by switching on the hob again within 4 seconds.

Safety

- 2 stage residual heat indicators: indicates which cooking zones are still hot or warm.
- Control panel lock: prevent unintended activation of the hob.
- Control panel pause: wipe overboiled liquids without unintentionally changing settings (blocking all touch buttons for 30 seconds).
- Main on/off switch: switch off all cooking zones at the touch of a button.
- Automatic safety switch off: for safety reasons, heating stops after a preset time if not used.
- Energy Consumption Display: shows the electricity consumption of the last cooking process.

Installation

- Dimensions of the product (HxWxD mm): 51 x 302 x 520
- Required niche size for installation (HxWxD mm) : 51 x 270 x (490 -

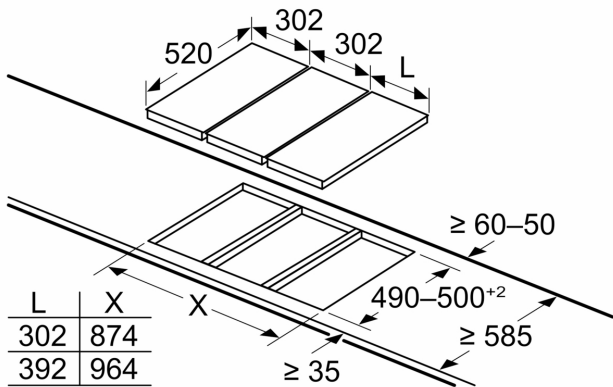
500)

- Min. worktop thickness: 16 mm
- Connected load: 3.7 KW
- Connection current management (20, 16, 13, 10 Amps options): limit the maximum power if needed (depends on fuse protection of electric installation).
- Power cord: 1.1 m, Cable included

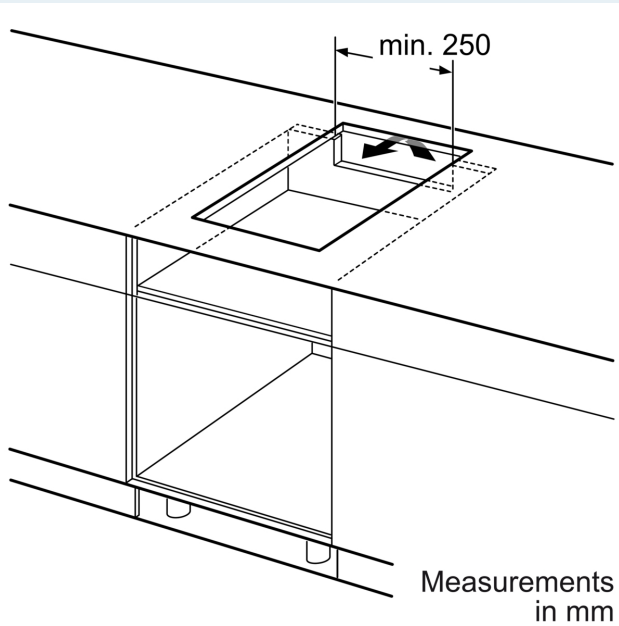
iQ700, Flex induction cooktop, 30 cm, surface mount with frame EX375FXB1E

Dimensioned drawings

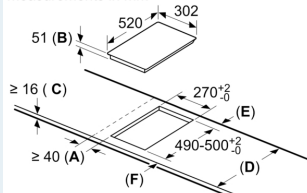
Measurements in mm



If two or more elements are installed right next to one another, one or several installation kits are required (2 elements 1 installation kit, 3 elements 2 installation kits, etc.)



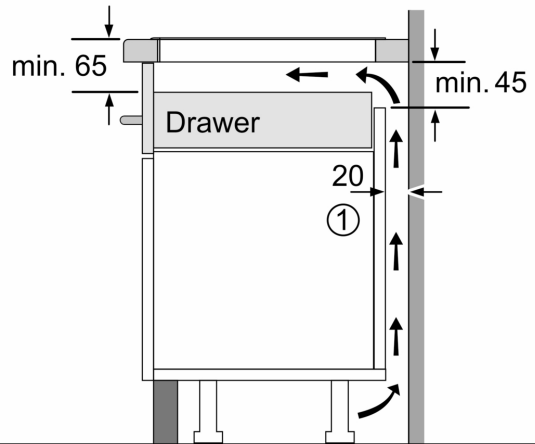
measurements in mm



- A: Minimum distance from the hob cut-out to the wall.
- B: Recessed depth
- C: The clearance between the surface of the worktop and the top of the front of the oven must be 30 mm. See space requirements for the oven.

The worktop into which the hob is installed must withstand loads of approx. 60 kg; suitable substructures must be used if required.

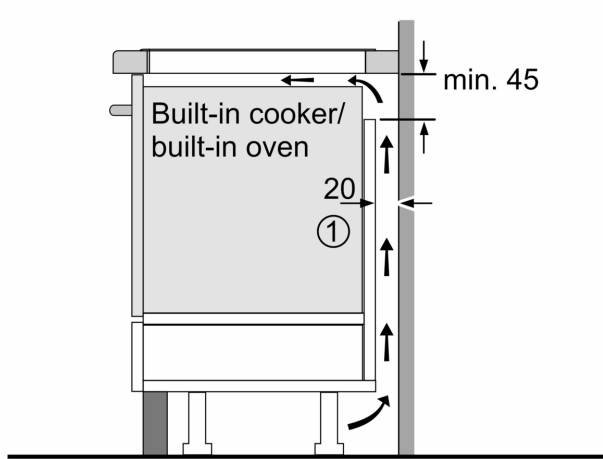
D	E	F
585-600	50	≥ 35
> 600	≥ 50	≥ 50



① Ventilation gap must be present.

Measurements in mm

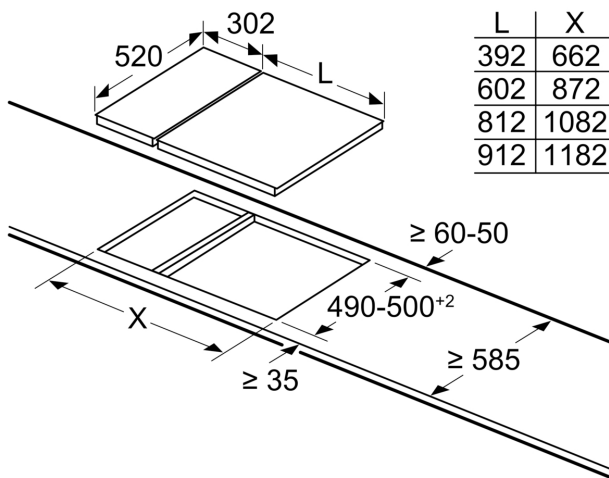
Dimensioned drawings



①
Ventilation gap must be present

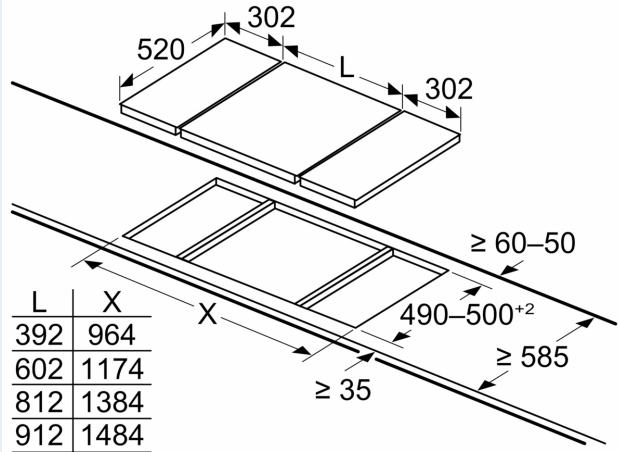
All measurements in mm

measurements in mm



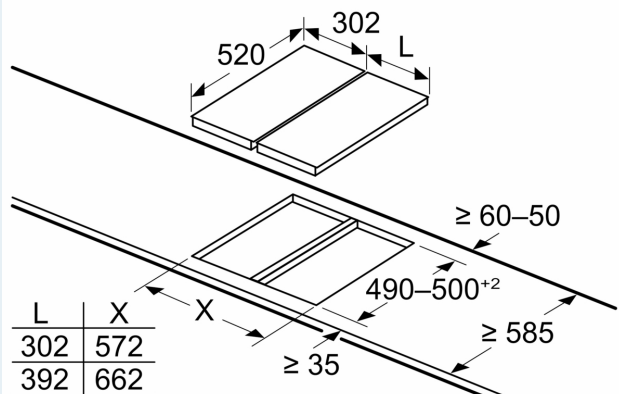
When installing a Domino unit right next to a hob, an assembly kit (HZ394301) is required.

Measurements in mm



When installing two Domino units right next to a hob, two assembly kits (HZ394301) are required

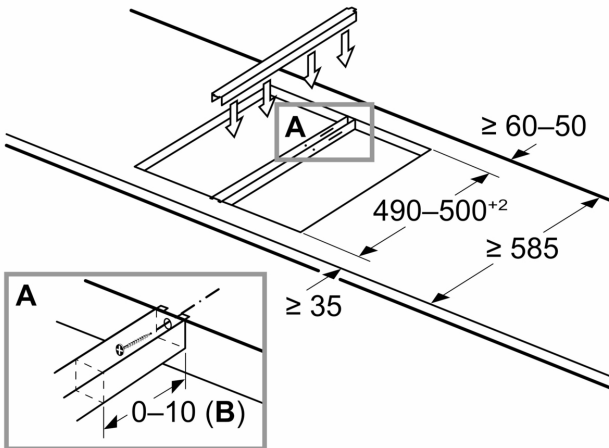
Measurements in mm



If two or more elements are installed right next to one another, one or several installation kits are required (2 elements 1 installation kit, 3 elements 2 installation kits, etc.)

Dimensioned drawings

Measurements in mm Assembly kit (HZ394301) for Domino



B: Dependent on the cut-out depth

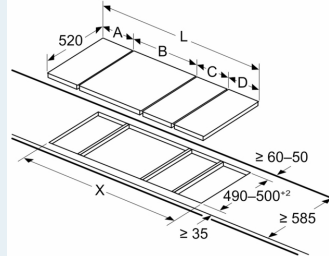
measurements in mm
Domino combination options with corresponding
appliance and cut-out dimensions

Width category: 30 40 60 70 80 90
Appliance width: 302 392 602 710 812 912

	A	B	C	D	L	X
2x30	302	302	-	-	604	572
1x30, 1x40	302	392	-	-	694	662
1x30, 1x60	302	602	-	-	904	872
1x30, 1x70*	302	710	-	-	1012	980
1x30, 1x80	302	812	-	-	1114	1082
1x30, 1x90	302	912	-	-	1214	1182
2x40	392	392	-	-	784	752
1x40, 1x60	392	602	-	-	994	962
1x40, 1x70*	392	710	-	-	1102	1070
1x40, 1x80	392	812	-	-	1204	1172
1x40, 1x90	392	912	-	-	1304	1272
3x30	302	302	302	-	906	874
2x30, 1x40	302	302	392	-	996	964
2x30, 1x60	302	302	602	-	1206	1174
2x30, 1x70*	302	302	710	-	1314	1282
2x30, 1x80	302	302	812	-	1416	1384
2x30, 1x90	302	302	912	-	1516	1484
1x30, 2x40	302	392	392	-	1086	1054
1x30, 1x40, 1x60	302	392	602	-	1296	1264
1x30, 1x40, 1x70*	302	392	710	-	1404	1372
1x30, 1x40, 1x80	302	392	812	-	1506	1474
1x30, 1x40, 1x90	302	392	912	-	1606	1574
3x40	392	392	392	-	1176	1144
2x40, 1x60	392	392	602	-	1386	1354
4x30	302	302	302	302	1208	1176
3x30, 1x40	302	302	302	392	1298	1266
2x30, 2x40	302	302	392	392	1388	1356
1x30, 3x40	302	392	392	392	1478	1446
1x30, 1x75	302	750	-	-	1052	1016
1x40, 1x75	392	750	-	-	1142	1106
2x30, 1x75	302	302	750	-	1354	1318
1x30, 1x40, 1x75	302	392	750	-	1444	1408

* Not possible with 70 cm induction hob

Measurements in mm
Picture for the table Domino combination possibilities with corresponding devices and
cutout dimensions



If two or more elements are installed right next to one another, one or several installation kits are required (2 elements 1 installation kit, 3 elements 2 installation kits, etc.)

Cutout dimension (X) depending on the combination (see combination table)