

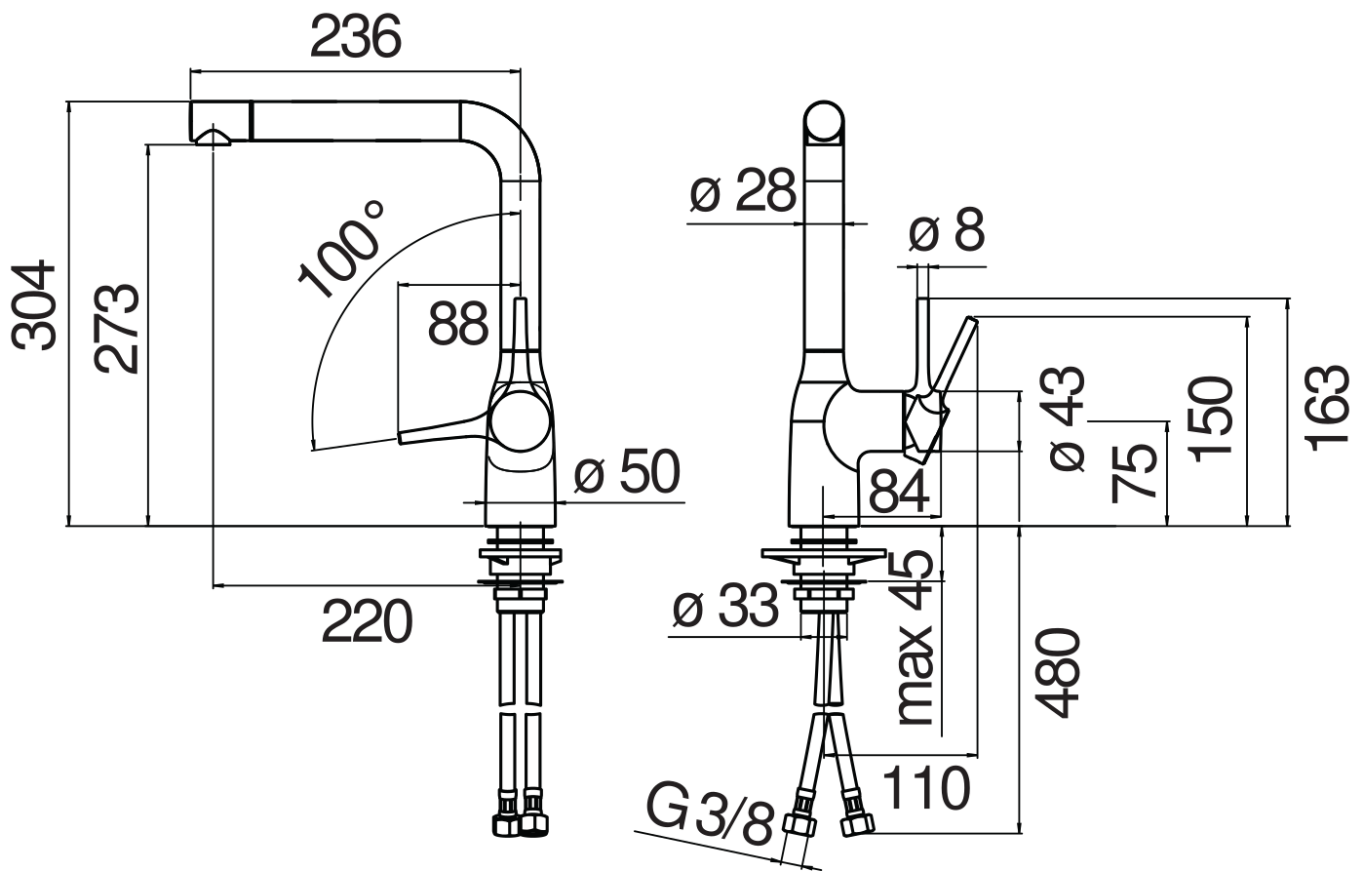


SPECIFICATIONS

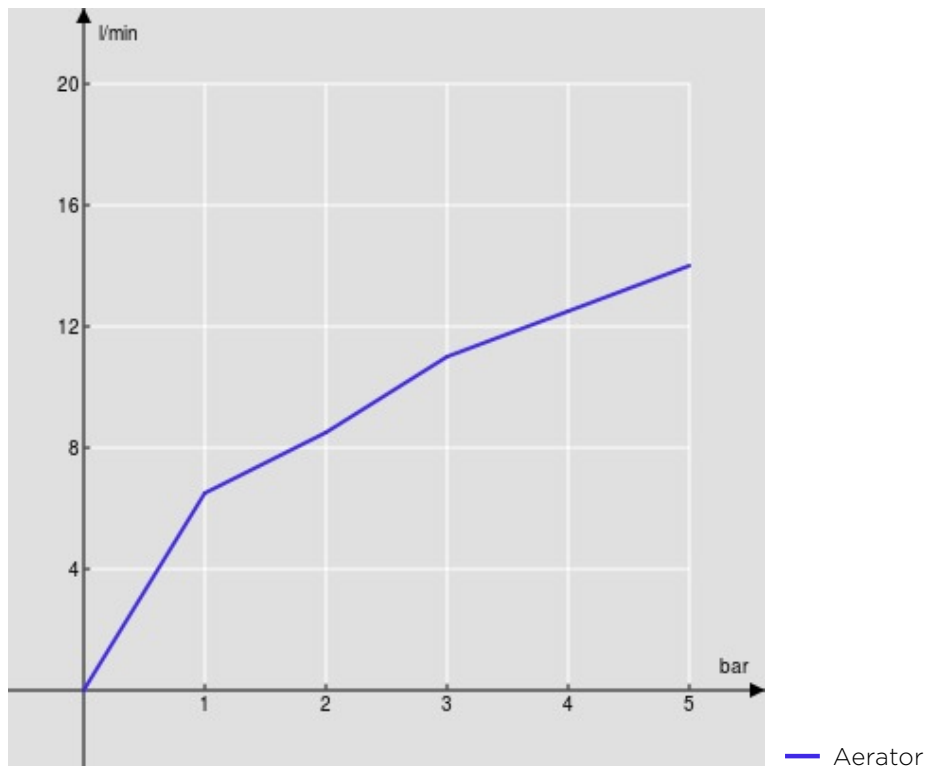
Single control
Grafite brushed PVD
180° swivel spout (adaptable 120 ° or 360 °)
Anti limescale aerator M 24 x 1
ø 3/8" stainless steel flexible pipe
Energy saving system with cold water side opening
50% two step cartridge for water saving
Packaging: 56,5 x 29 x 7,1 cm / 0,011633 m³ / 2,72 kg

CERTIFICATIONS





FLOW RATE DIAGRAM: HOT/COLD WATER



FLOW RATE DIAGRAM: MIXED WATER

