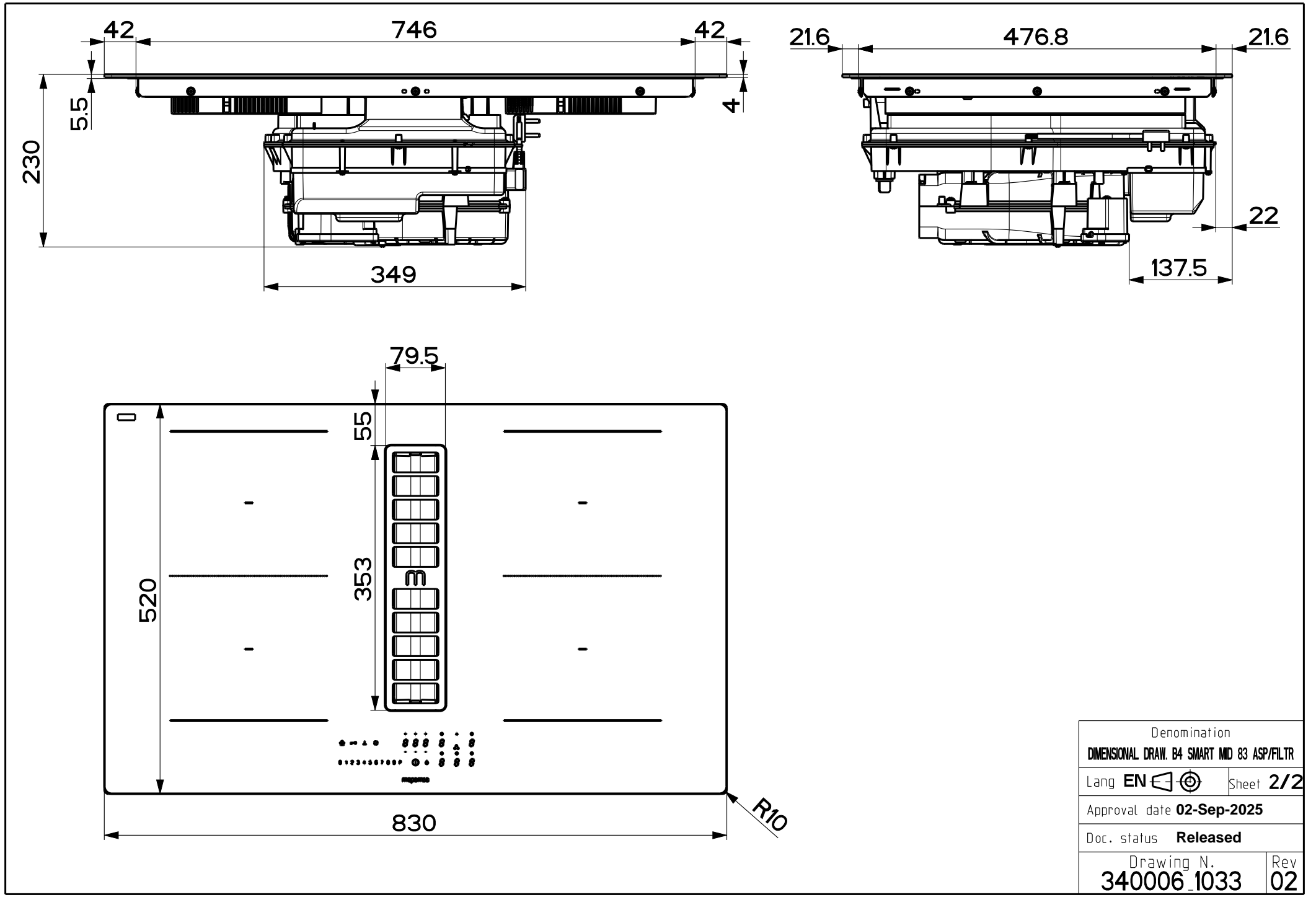


Denomination	
DIMENSIONAL DRAW. B4 SMART MID 83 ASP/FILTR	
Lang EN	Sheet 1/2
Approval date 02-Sep-2025	
Doc. status Released	
Drawing N.	Rev
340006_1033	02



Denomination	
DIMENSIONAL DRAW. B4 SMART MID 83 ASP/FILTR	
Lang EN	Sheet 2/2
Approval date 02-Sep-2025	
Doc. status Released	
Drawing N.	Rev
340006_1033	02